

Block Diagram

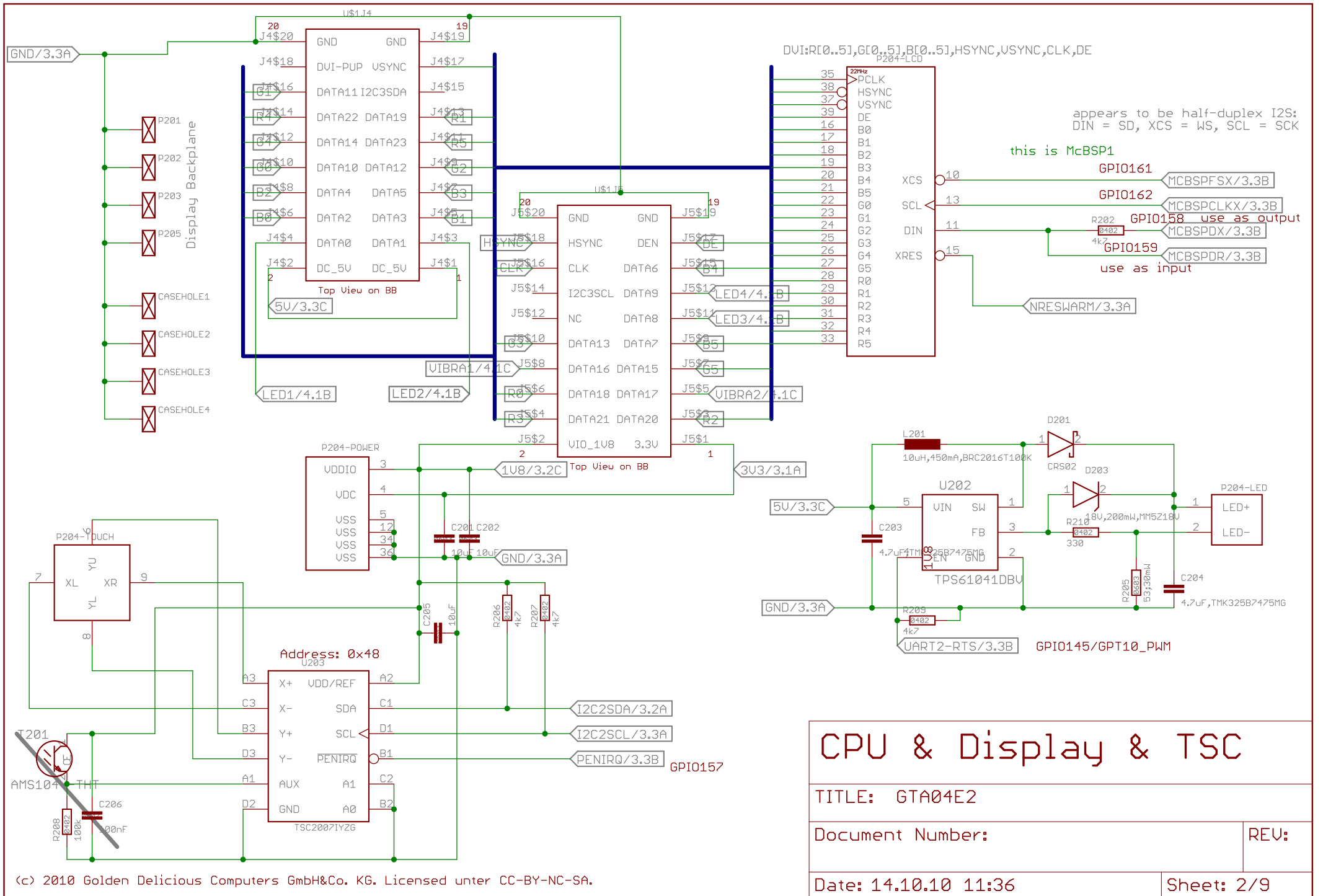
TITLE: GTA04E2

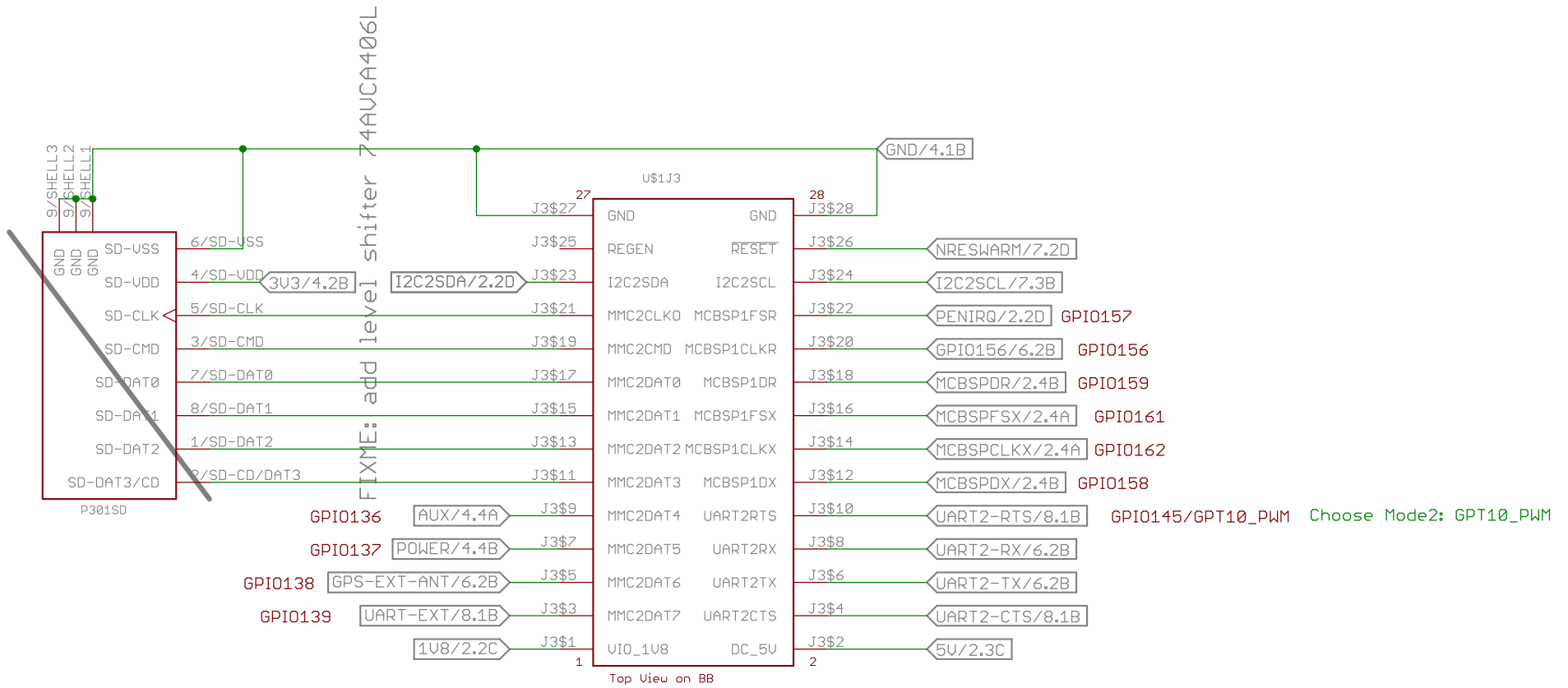
Document Number:

REV:

Date: 14.10.10 11:36

Sheet: 1/9





SD Card

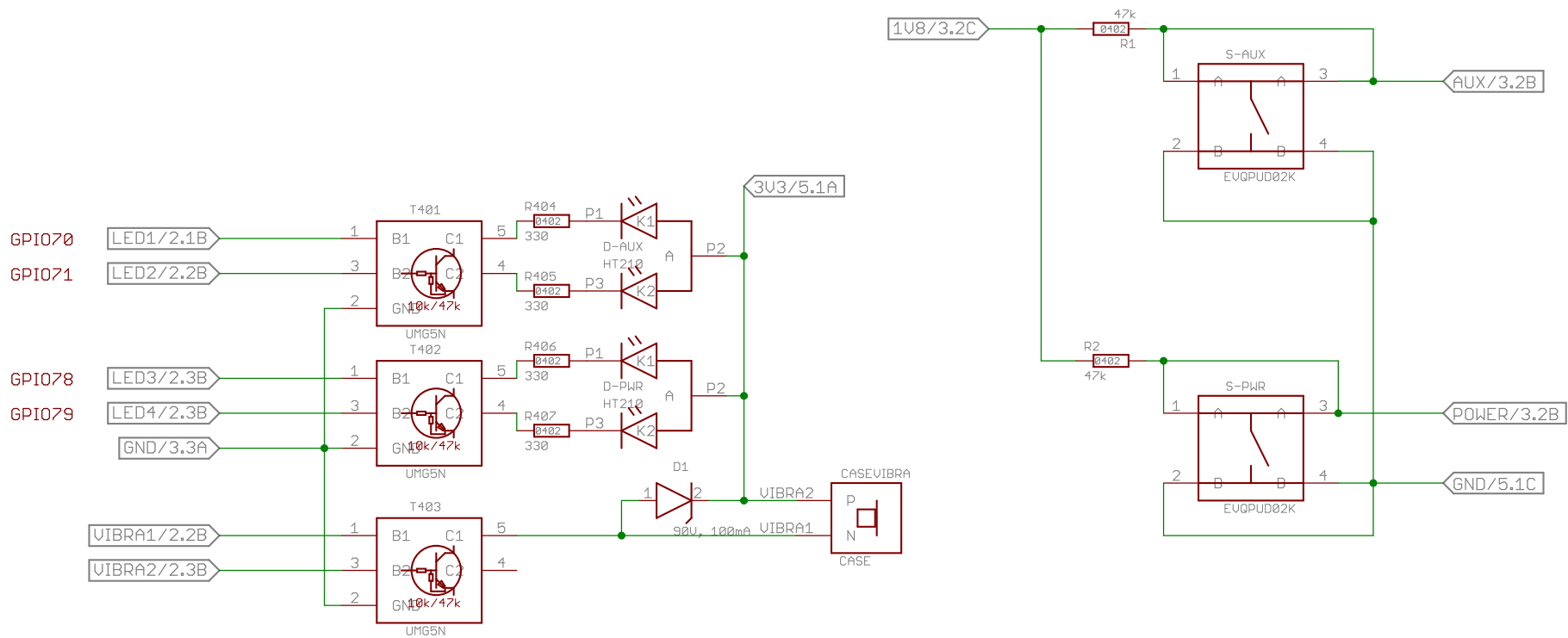
TITLE: GTA04E2

Document Number:

REV:

Date: 14.10.10 11:36

Sheet: 3/9



LEDs, Buttons

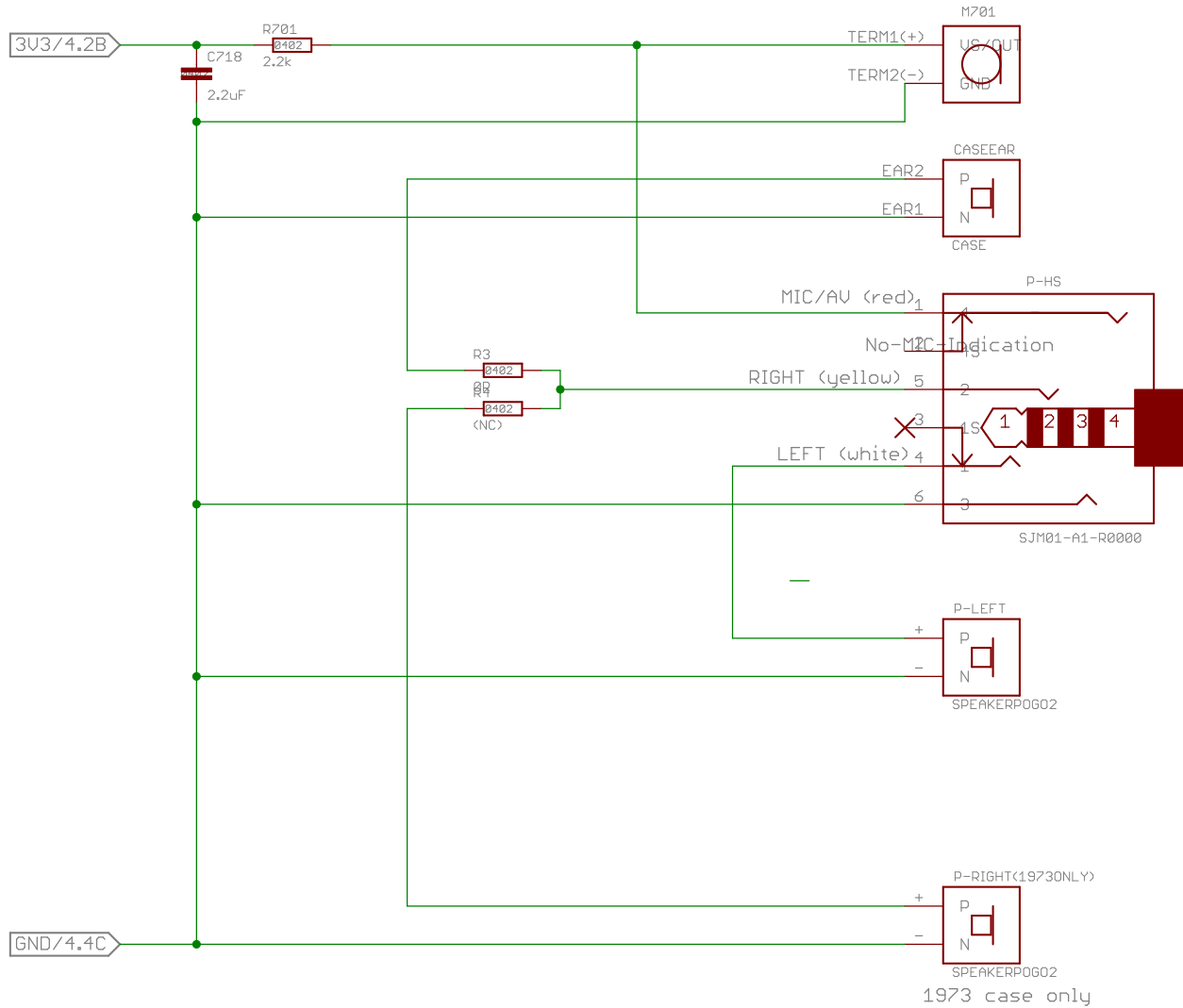
TITLE: GTA04E2

Document Number:

REV:

Date: 14.10.10 11:36

Sheet: 4/9



Audio

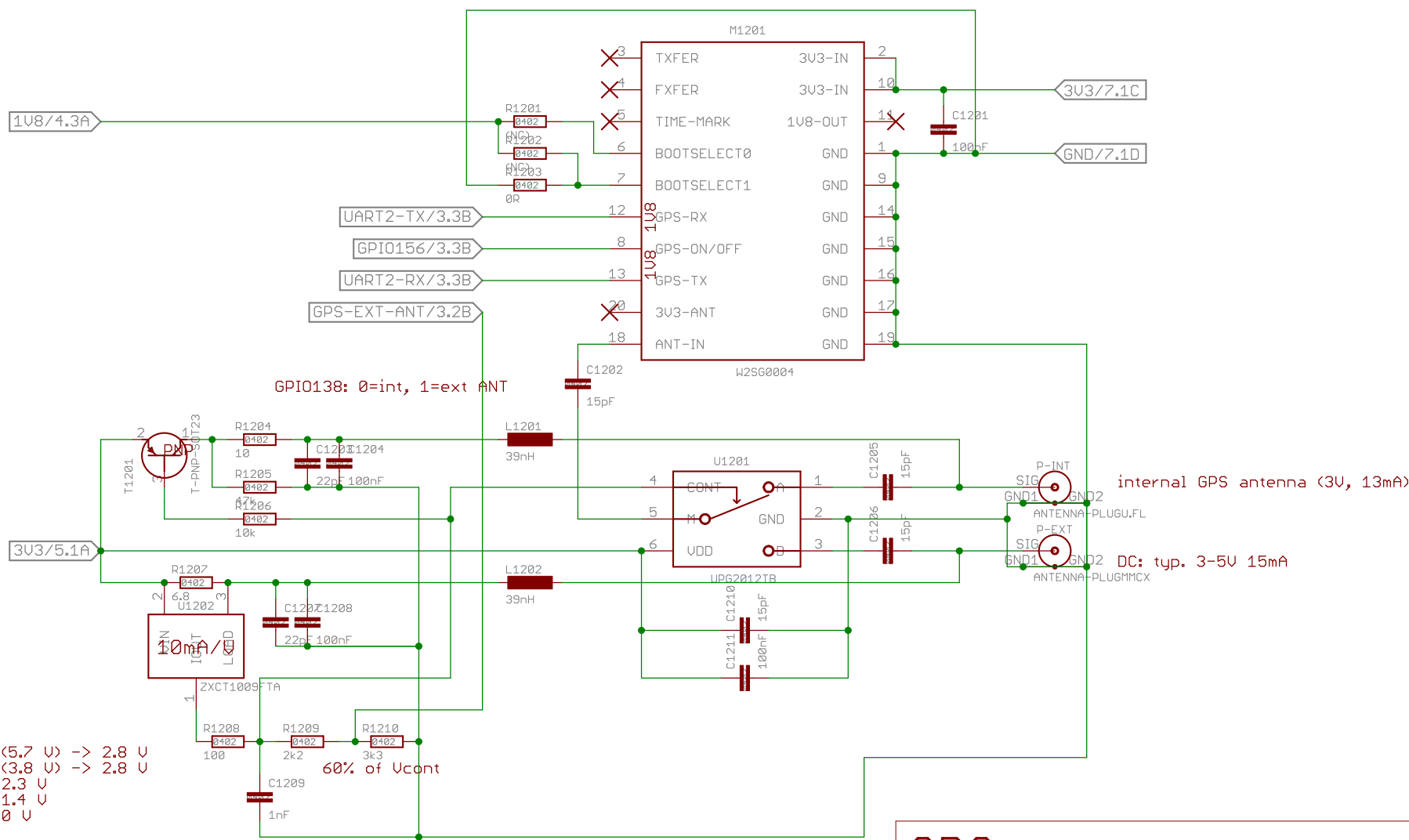
TITLE: GTA04E2

Document Number:

REV:

Date: 14.10.10 11:36

Sheet: 5/9

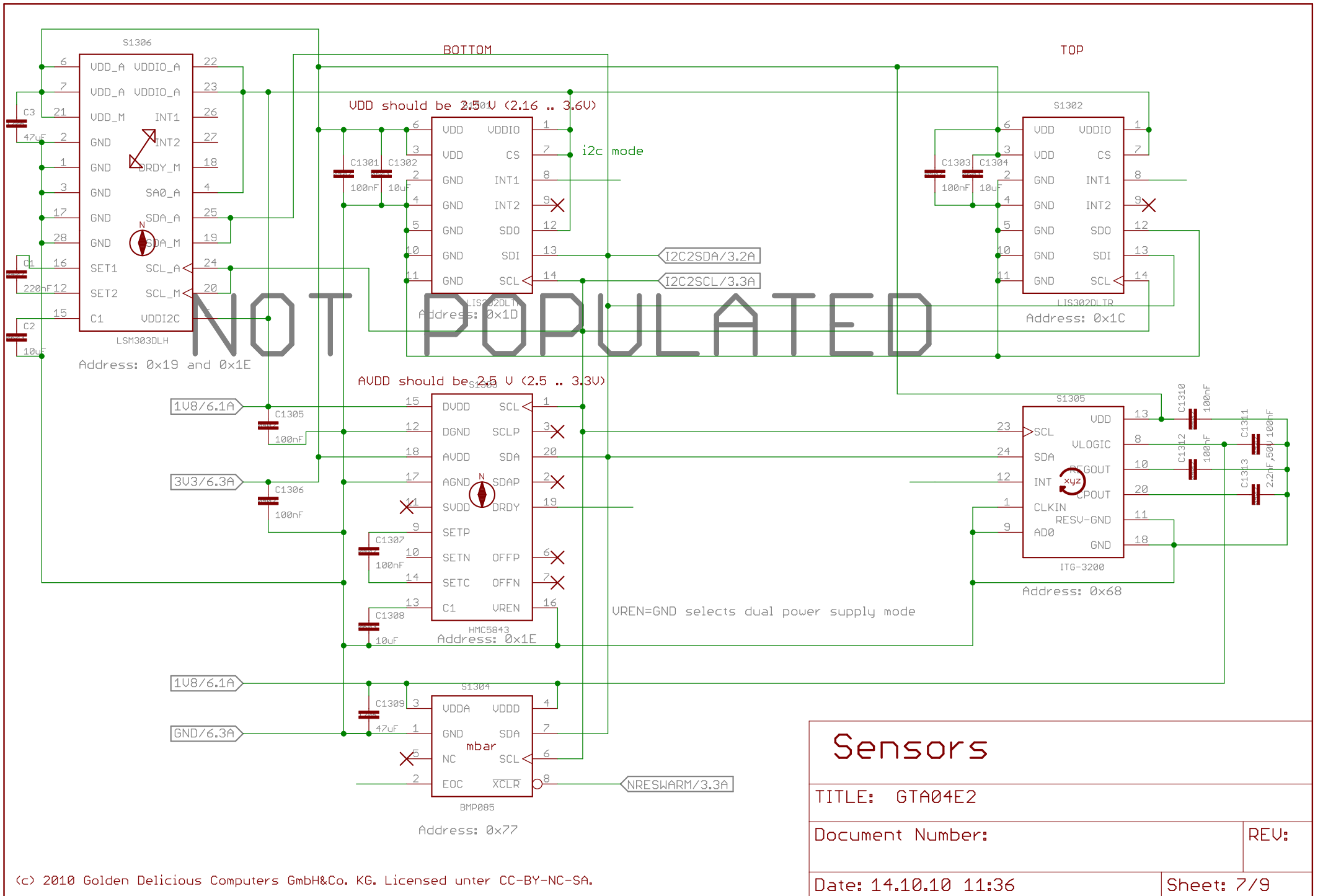


- 15 mA -> (5.7 U) -> 2.8 U
- 10 mA -> (3.8 U) -> 2.8 U
- 6 mA -> 2.3 U
- 3 mA -> 1.4 U
- 0 mA -> 0 U

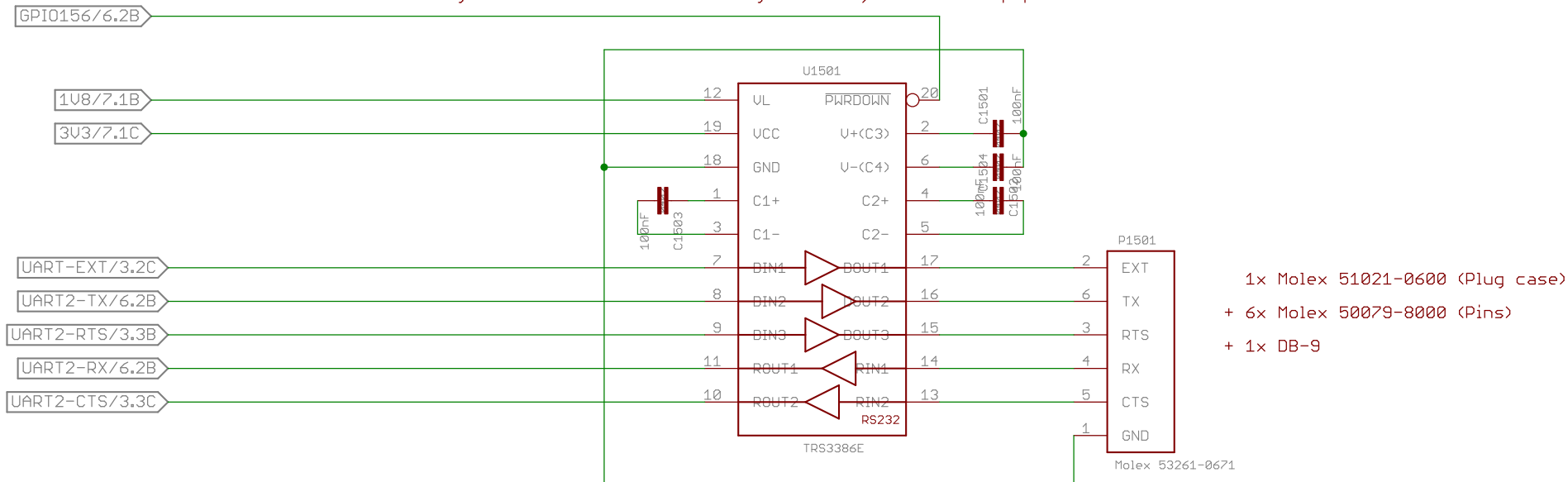
60% of Ucont

NOTE: The RF switch and the GPIO may have different trigger levels

<h1>GPS</h1>	
TITLE: GTA04E2	
Document Number:	REV:
Date: 14.10.10 11:36	Sheet: 6/9



!!! assumes that GPS module goes to 3state on GPS-ON = High !!! If not, we must not populate boards with GPS&RS232



NOT POPULATED

RS232

TITLE: GTA04E2

Document Number:

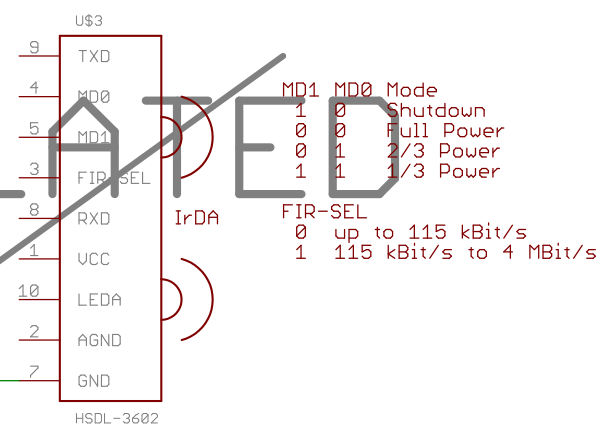
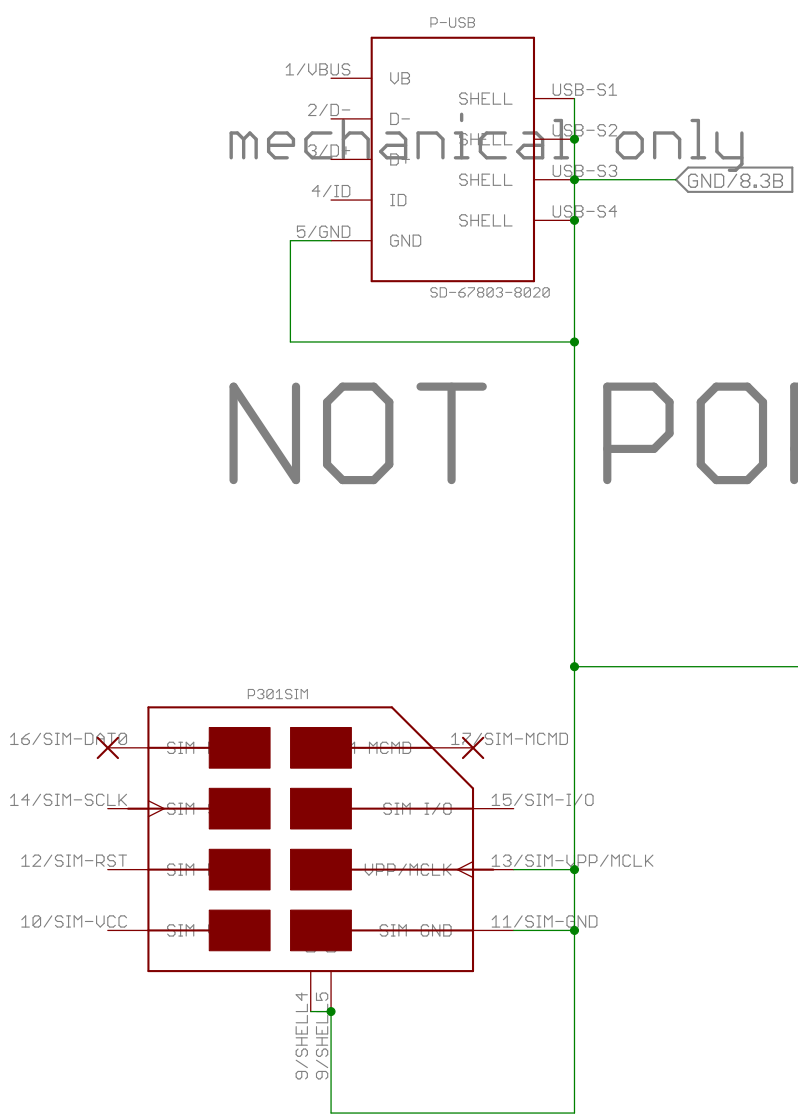
REV:

Date: 14.10.10 11:36

Sheet: 8/9

mechanical only

NOT POPULATED



Misc

TITLE: GTA04E2

Document Number:

REV:

Date: 14.10.10 11:36

Sheet: 9/9